

PICNIC SETTING

Designer: Spark - Steve Wheaton



SLAT OPTIONS

- Oiled hardwood
- Clear aluminium
- Wood grain aluminium

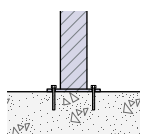
FRAME

- Cast aluminium

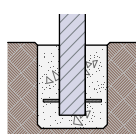
FRAME FINISH

- Powdercoated

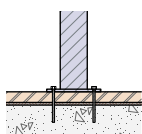
INSTALLATION



Bolt Down



In Ground



Bolt Through

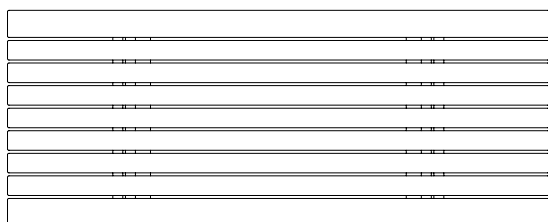
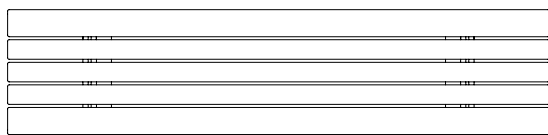
FIXINGS

- 12mm threaded rod (supplied) for 14mm diameter holes

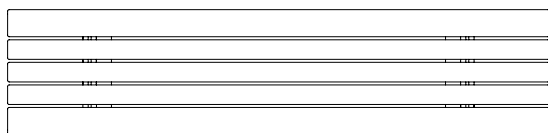
Alternative finishes available on request

QUAYSIDE PICNIC SETTING

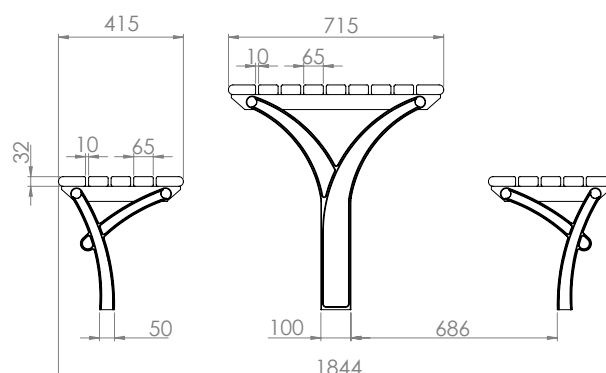
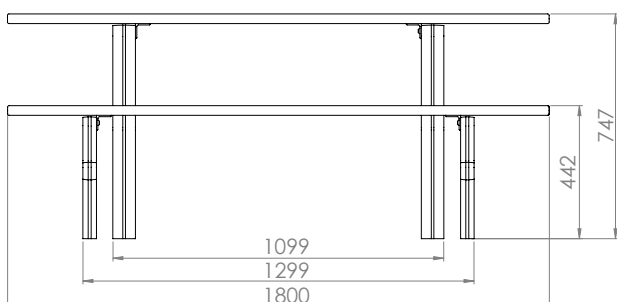
SPECIFICATIONS



150



90



All measurements are in millimetres. Drawings are not to scale. Dimensions shown are for timber slat option.

PRODUCT CODE

FRAME FINISH

SLAT OPTION & SIZE (mm)

QYS006-ALU-PC-T

Powdercoated

90/65 x 32 Oiled solid timber

QYS006-ALU-PC-A

Powdercoated

90/65 x 35 Anodised aluminium

QYS006-ALU-PC-W

Powdercoated

90/65 x 35 Wood grain aluminium